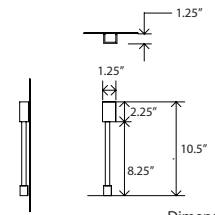


Libri

sconce reading light



Dimensions - 10.5" X 1.5" X 1.25"  
 Aluminum (CM-006), polymer (CM-052), optional solid wood  
 Product weight - 1 lb  
 Energy efficient LED light source  
 Automatic ON/OFF when arm is pulled away from wall  
 Light output - 160 lumens  
 Light color - 2700 K (warm)  
 Color accuracy - 90+ CRI  
 LED power consumption - 2W  
 Specifications subject to change



MATERIAL, FINISH & MOUNTING OPTIONS

Mounting kits are sold separately from the Libri fixture. No Mounting kit is required if the Libri fixture is to be installed using the Direct Mount option.

**Direct Mount Option** is used when mounting directly to a headboard. There is no backplate and the cord must be fed through a hole in the headboard directly behind where the fixture is mounted and plugged into a wall outlet using the included AC adaptor.

**J-Box Backplate** is typically used when mounting a hardwired model to a junction box. It can also be mounted directly to a wall and used with a plugin model.

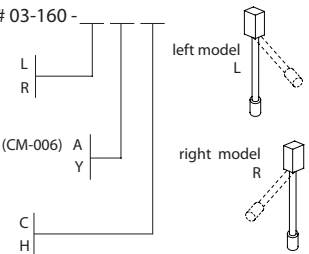
**Wall Mount Plug In Backplate** is used when mounting directly to the wall and plugging into a wall outlet. The wall mount is an elongated rectangle that allows the cord to exit discreetly below the fixture.



Libri part # 03-160 -

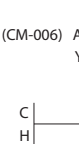
Direction:

Left  
Right



Finish:

Brushed Aluminum (CM-006)  
White (CM-060)

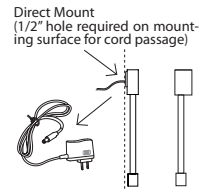


Connection:

Plug In  
Hardwired\*



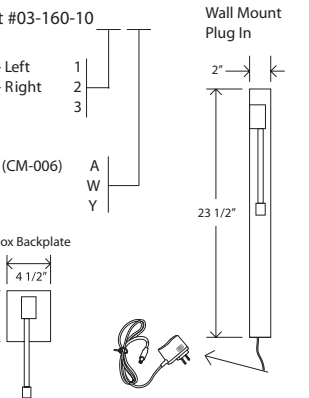
\* Hardwired installation requires room in the j-box for the included external power adapter (2" x 1" x 1.25")



Mounting Kit Part #03-160-10

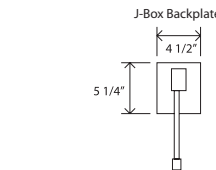
Direction:

Wallmount Plug in - Left  
Wallmount Plug in - Right  
J-Box - Backplate



Finish:

Brushed Aluminum (CM-006)  
Walnut (CM-001)  
White (CM-060)



The Libri is about function and ease - an extremely articulate directional task light in a discrete and sturdy form that is very intuitive to use.

Nick Sheridan,  
Designer

©2016 Cerno, L.L.C. All Rights Reserved. The Cerno graphic is a registered trademark of cerno, L.L.C. Cerno reserves the right to change specifications for product improvements without notification.