

### General Product information

This product is suitable for indoor dry locations only.

This product can be dimmed with most standard dimmers. Please see "Dimmer Compatibility" section of these instructions for more information.

#### CAUTION - RISK OF FIRE

This product requires installation by a qualified electrician. Before installing be sure to read all instructions and **TURN POWER OFF TO THE JUNCTION BOX**

### Adjusting the Fixture Height

- 1 Measure the desired height (H) that you want the fixture to hang below the ceiling.
- 2 Cut the non threaded end of the aluminum tube one inch less than H.

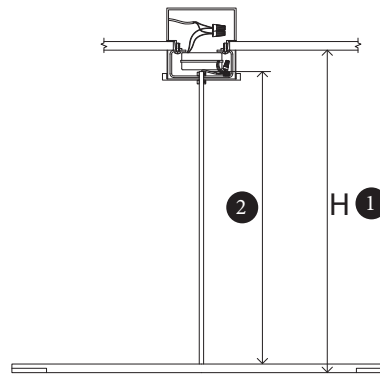


Figure 1

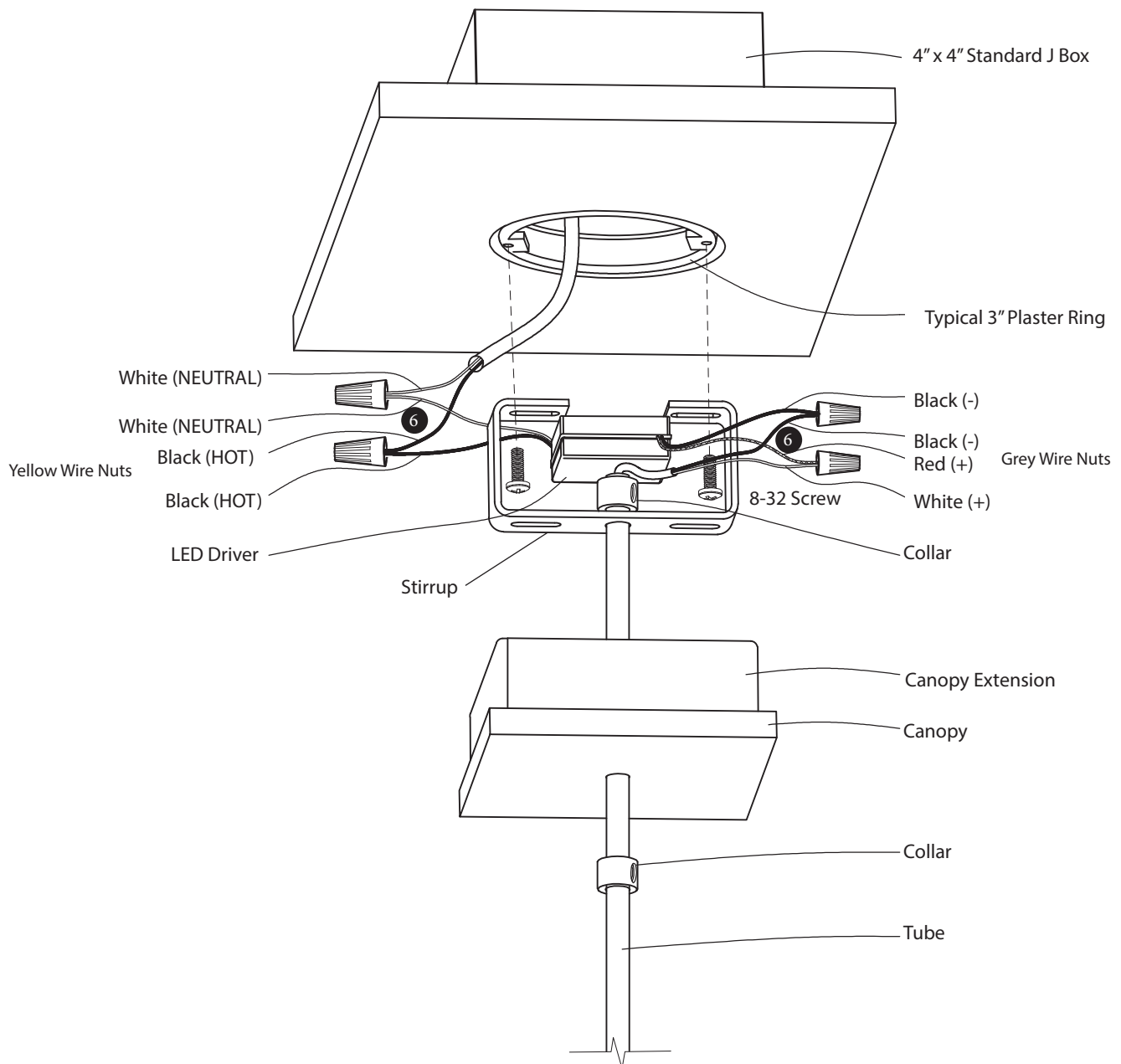


Figure 2

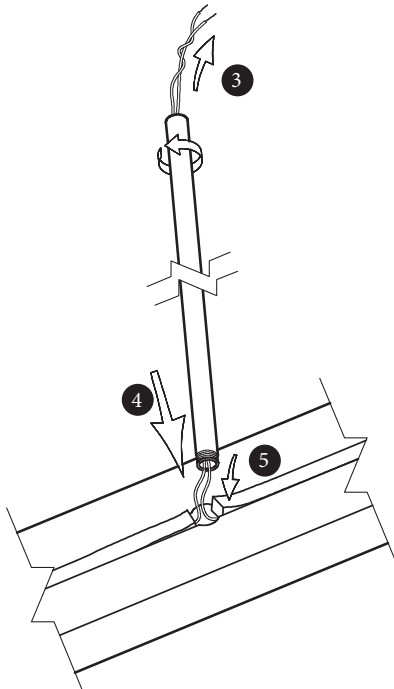


Figure 3

### Attaching the Tube to the Fixture

- 3 Feed the Fixture wires through the tube.
- 4 Screw the tube into the fixture body. Make sure the tube is perpendicular to the fixture body during this step to prevent cross threading
- 5 If the ends of the rubber strip pull up, simply press them back into the groove.

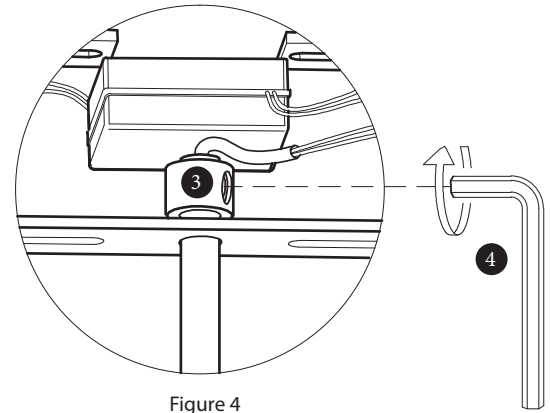


Figure 4

### Attaching the Tube to the Stirrup

- 3 Feed the fixture wires through the collar and slide collar onto the end of the tube.
- 4 Tighten the set screw in the side of the collar with the supplied wrench.

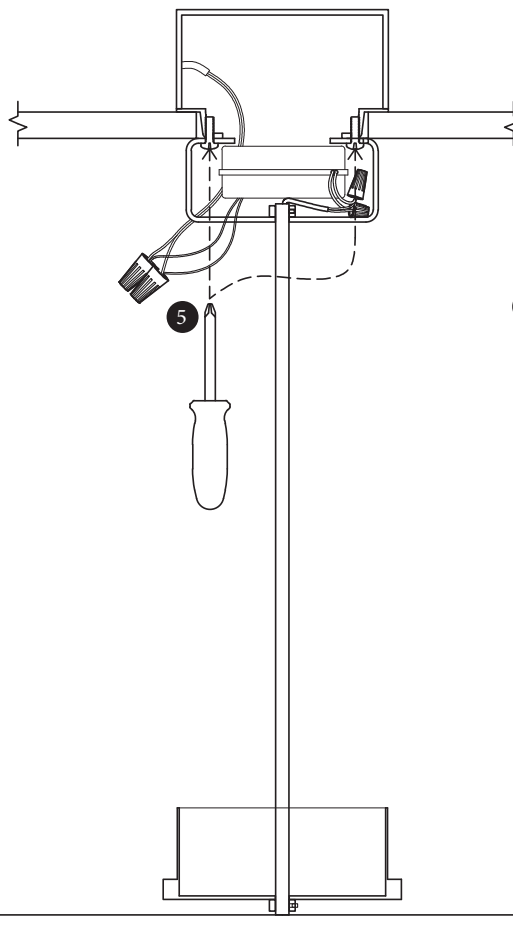


Figure 5

### Mounting the Fixture

- 5 Mount the stirrup to the electrical box with the supplied #8-32 screws.

### Making Electrical Connections

- 6 Make electrical connections as shown in figure 2 using the supplied wire nuts.

**WARNING - THE LED DRIVER IS A DC DEVICE AND MUST BE ATTACHED TO THE LED LIGHT ENGINE AS SHOWN. CONNECTING THIS DEVICE INCORRECTLY WILL CAUSE SEVERE DAMAGE.**

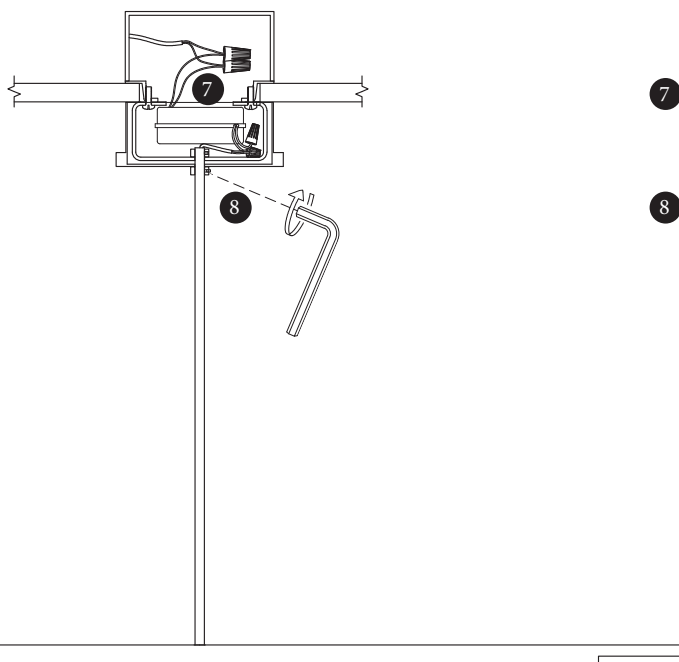


Figure 6

### Securing the Canopy

- 7 After electrical connections have been made, place all of the wires inside of the junction box.
- 8 Slide the canopy and collar up the tube until it is snug against the ceiling and secure it by tightening the setscrew using the included wrench.

### Dimmer Compatibility

The LED driver included with this fixture is designed to operate with most standard dimmers. Extensive testing with the dimmers listed below has been conducted. This list of dimmers does not imply any guarantee or warranty of compatibility with a particular application. The lack of dimmers on this list does not imply it is not compatible. All power ratings and installation instructions from dimmer manufacturers' instruction sheets must be followed.

Cooper, Aspire Series (Part numbers 9530XXX)  
Leviton, Illumitech Series (Part numbers IPI06-XXX)  
Leviton, Trimatron Series (Part numbers 6602-X, 6681-X, 6683-X, 6684-X, 700-X and 705-X)  
Leviton, SureSlide Series (Part Numbers 6631)  
Leviton, True Touch Series (Part Number 6606-1LM)  
Lutron Skylark Series (Part Number S-600, S2-LH)

In addition, the following Electronic Low Voltage (ELV) dimmers that employ reverse phase control have been tested:

Lutron Maestro (Part Number MAELV-600)  
Lutron Nova T Series (Part Number NTELV-600)  
Lutron Faedra (Part Number FAELV-500-XX)  
Leviton Acenti (Part Number ACE06-XXX)  
Leviton Vizia (Part Number VZE04)

### Care, maintenance instructions

Regularly maintaining your Cerno® product is easy and will help keep it looking beautiful. Scratches can be buffed out in minutes. Wood surfaces will be revitalized with minimal effort every few years. The LED light source is rated to last 50,000 hours, and should last the life of the product. Your fixture includes materials listed below. Please use these tips to keep your product looking its best.

**Brushed Aluminum:** Everyday cleaning of metal surfaces can be done with a damp cloth. Repair: To remove scratches from brushed aluminum, use Scotch-Brite (Gray or Maroon) to buff the scratched area. In a pinch, you can use the rough side of your kitchen sponge.

**Polymer:** To clean polymer surfaces, use a damp cloth with soap and water or typical cleaners. Avoid heavy-duty cleaners (i.e. anything solvent-based), as they can damage the material. Repair: Scratches can be buffed out of polymer surfaces using 200 - 300 grit sandpaper.

### **Cerno's mission since the company's inception has been to fuse quality, performance and resource efficiency with contemporary design.**

Producing environmentally responsible products involves far more details than merely guaranteeing your products energy efficient performance and maintaining eco conscious manufacturing practices. We live in a consumer age characterized by excess and waste, where nearly everything we possess is viewed as disposable, from the cars we drive to the bottle of water you are drinking right now.

At Cerno we aim to provide our customers an opportunity to purchase objects of value to enhance their built environment. We construct our products with integrity that will pass the test of time with the goal of evading a premature trip to the local landfill. All the products are assembled by human hands and endure rigorous testing to assure that our exceptionally high standards of quality are always satisfied.

### **Warranty**

In addition to our two year product defect warranty, Cerno offers a repair service for the life of your product. Every Cerno product is designed and manufactured in the United States which facilitates excellent quality control and easy access to our engineers and service technicians. At Cerno we pride ourselves on delivering products executed with an unparalleled level of craftsmanship. For any reason should our customers have an issue with their orders upon delivery we will repair or replace the item.

In addition to our warranty and quality guarantees, Cerno welcomes customer feedback so please e-mail all comments to [info@cernogroup.com](mailto:info@cernogroup.com)